



# IJRASET

International Journal For Research in  
Applied Science and Engineering Technology



---

# INTERNATIONAL JOURNAL FOR RESEARCH

IN APPLIED SCIENCE & ENGINEERING TECHNOLOGY

---

**Volume: 7      Issue: V      Month of publication: May 2019**

**DOI: <https://doi.org/10.22214/ijraset.2019.5474>**

**[www.ijraset.com](http://www.ijraset.com)**

**Call:  08813907089**

**E-mail ID: [ijraset@gmail.com](mailto:ijraset@gmail.com)**

# IoT based Thermal Surveillance and Alert System

Bharath<sup>1</sup>, A M Bharath<sup>2</sup>, Nithyanandan S<sup>3</sup>, Dhananjaya V<sup>4</sup>, Raghavendra M<sup>5</sup>

<sup>1, 2, 3, 4</sup>BE in Electronics and Communication Engineering, NIE Institute of Technology, Mysore, Karnataka, India

<sup>2</sup>Asst. Prof. Electronics and Communication Department, NIE Institute of Technology, Mysore, Karnataka, India

**Abstract:** Security is the need in day to day life. Use of intruder detection systems were increasing year by year. IR surveillance method for the detection of illegal intruder in low light condition is more easy unlike optical camera systems. This paper presents the design and implementation of intruder detection using IR sensor based system for application in the field of security and surveillance. Presenting methods are based on use of IR thermal detection system for the intruder detection, recognition and alerting. The use of such systems has special significance in the context of security in the domain of timely detection of abnormal movements inside the buildings. IR thermal imaging has higher advantages compared to optical camera surveillance systems because thermal imaging is effected by to weather conditions and can be used any time in a day. Presenting system are mainly used for illegal intruder detection inside buildings as well as infrared thermal imagers mounted on autonomous vehicles and unmanned aerial vehicles (UAV) and Banking Security Systems for intruder detection. Thermal sensors are used to detect the hot body by IR radiation detection. Thermal sensors are combined with microwave motion detection sensors to detect abnormal movement of hot bodies. Motion sensors also helps in prevention of false alarm due to external environmental condition. After detection of intruder alert the user using IoT systems.

**Keywords:** Internet of Things (IoT), Doppler effect, Infrared radiation, sms

## I. INTRODUCTION

Security is a most important issue of our daily life. Everyone around would want to be as much safe and secure as possible. Security is essential even if we have excellent agencies for public (police, fire, highway patrol, etc.). In comparison to the no of police officers there are far more homes situated at any place, not forgetting to mention the skilled thieves. Because of increasing cases of crime and theft, system ensuring security has even become more essential. The cameras that examine the space for the entire time and reacts accordingly to the conditions are in great demand. There are different types of security systems available in the market for all the kinds of applications. However many of these units have the problem of high installation cost, higher consumption of electricity, huge memory space consumption of the recording system and difficulty of the hardware circuits, etc. Various techniques have been implemented in this direction to ensure safe homes and other places. Installation of all time working CCTV Cameras and our security guards are major amongst these. But these approaches have come up with the limitation of being highly expensive and ineffective and inefficient too. The most important action in cases like burglary and thefts is to instantly alert the owner and alarm him about the situation. And this process is required to be low on price scales and highly effective and efficient so that it is affordable by all. Since thermal imaging is easy, continuous and independent of time, it then further offer easy imaging method, accurate and automatic focusing on difference changes of temperature, it is also useful in detection of internal tumors in medical technologies just and research.

Recent image technologies rapidly developed more featured to improved accuracy of data result. In medical technologies, doctor use temperature sensing in disease diagnosis, infrared thermography helps us to find the internal organs thermal imaging and pinpoint problems based on the temperature difference, Temperature provides an excellent indication of the condition of human body.

Thermal infrared video cameras works by absorbing infrared energy packets emitted or reflected from objects in the surrounding environment. As long as exist differences in the thermal properties interest region in a thermal image appears at a contrast from environment. In optical flow analysis, motion and dimension of human or objects are random and non-sequence. Operation mode in thermal screening for flu or fever detection system have to be more reliable with situation exist.

## II. SYSTEM ANALYSIS

### A. Purpose of Implementation

Security is essential even if we have excellent agencies for public (police, fire, highway patrol, etc.). The use of infrared (IR) thermal imaging systems is not new, since the thermal imaging camera is already widely applied in different areas, security and surveillance<sup>[1]</sup>, medical diagnostics and detection of various anomalies in architecture, civil engineering, building construction, mechanical engineering, etc.

Infrared (IR) thermal sensors are special types of sensors designed to detect the infrared radiation of different wavelengths. IR offers the capability of imaging scenes based upon either the IR light reflectance or upon the IR radiation they are emitting.

The Internet of Things is the network of "things" which are connected to a common network path in order to communicate, exchange data or control each other. The network path can be interconnected or interconnected with the "things" being either embedded software, hardware or any sensor. It refers to the state where the things will have more and more data and information associated with them and have a ability to communicate, produce new information and become the integral part of the free world wide web.

It not only features internet connectivity but also features cloud and data management, security management and all other fields concerned with the era of internet. Paper is based on combination of IoT and Thermal Surveillance System. It will detect non rhythmic motions and alert the user through IoT at night time.

**B. Block Diagram**

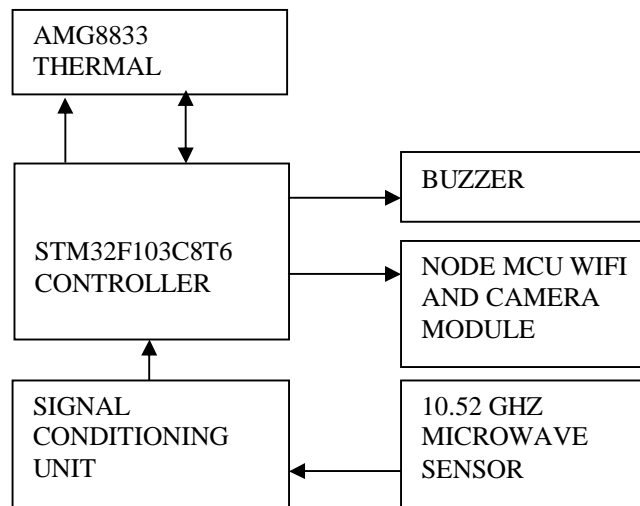


Figure 2.1 Block diagram of IR surveillance system.

The thermal imaging surveillance system model proposed in this project is shown in Fig. 2.1. The system is very simple, it required a fine resolution thermal camera, microwave motion sensor, microcontroller, Wi-Fi module and optical camera module. First, thermal camera sensor will produce thermal image based on Infrared radiation emitted by objects. It will generate voltages with respect to IR intensity. Here AMG8833 thermal sensor is used. That image is transferred to Microcontroller. A microwave sensor of frequency 10.52GHz motion sensor is used to detect the abnormal motion of the object, if any. Microwave detected in receiver is conditioned in signal conditioning unit. That signal is transferred to microcontroller. Microcontroller processes both thermal and microwave sensor output data and activates the buzzer if it gets positive output from both sensors. Wi-Fi module ESP-12 is used to stream continues optical video to user over internet.

**III.COMPONENTS REQUIRED**

**A. Thermal Sensor (AMG8833)**

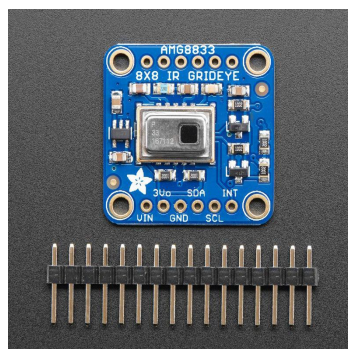


Figure 3.1 Thermal Sensor AMG 8833<sup>[2]</sup>



*B. STM32 Controller (STM32F103C8T6)*

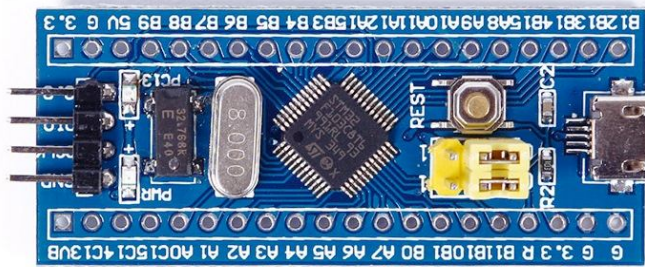


Figure 3.2 Microcontroller STM 32<sup>[3]</sup>

*C. Microwave Sensor (RCWL-0516)*



Figure 3.3 Microwave Sensor<sup>[3]</sup>

*D. NODEMCU Wifi Module (ESP12E)*



Figure 3.4 Wi-Fi Module ESP 12E<sup>[4]</sup>

*E. Buzzer*



Figure 3.5 Buzzer

*F. M5 Camera (ESP-32 M5 Stack) :*

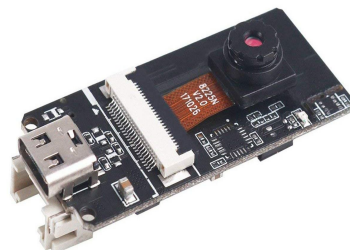


Figure 3.6 Optical Camera ESP32

**G. IFTTT Server App and Clicksend Account**

IFTTT is free IoT platform service helps to provide integration between different services. If a particular event happens it sends data to the servers and triggers the programmed action. Clicksend is one of online sms service providers. It sends sms to particular provided number when IFTTT event is triggered. In this project both IFTTT and clicksend services are integrated to send alert sms to user about intrusion.

**IV. DESIGN IMPLEMENTATION**

**A. Flow Chart**

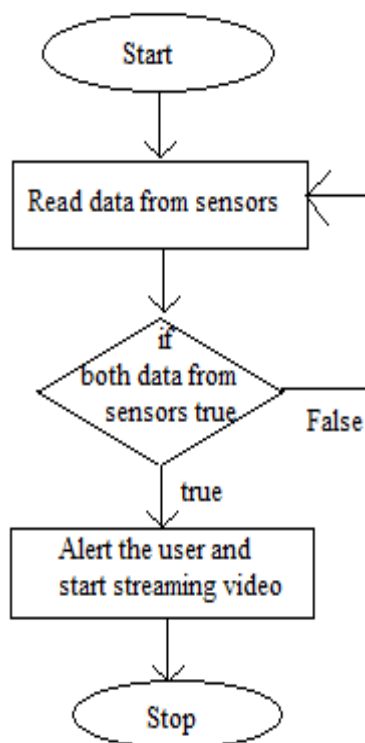


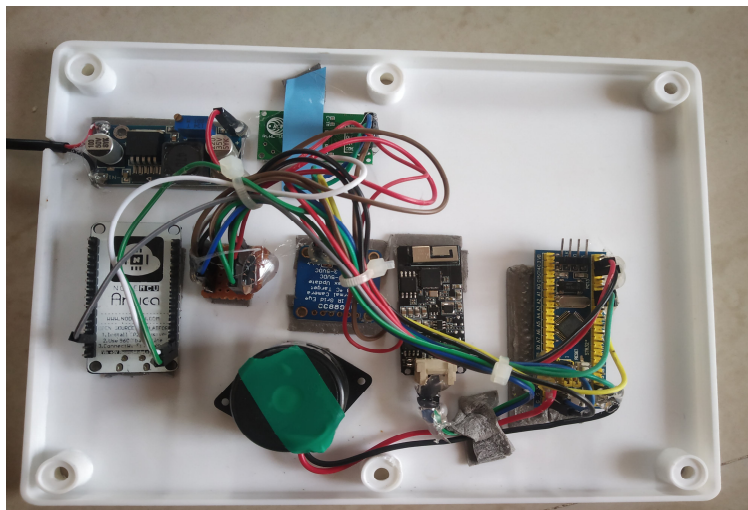
Figure 4.1 Data flow chart

**B. Algorithms**

- 1) Step 1: Power up the microcontroller with regulated supply.
- 2) Step 2: Connect the thermal sensor and microwave motion sensor to stm32 microcontroller.
- 3) Step 3: Read data from thermal sensor and microwave sensor.
- 4) Step 4: Process thermal sensor data for any differential temperature between pixels.
- 5) Step 5: Check for any motion is detected in motion sensor.
- 6) Step 6: If both sensor gives positive result, Alert the user by activating alarm and send sms.
- 7) Step 7: Start the live video streaming throw node MCU Wi-Fi from M5 Camera module.
- 8) Step 8: Return to step 3 for further continuation of surveillance.
- 9) Step 9: Stop when completed and shutdown.

**C. Working**

The AMG8833 thermal sensor is used to capture the IR image which is transferred to STM32 controller. The image is processed to check for the differential temperature between pixel. In parallel to the thermal sensor, microwave motion sensor data is transmitted to controller. Where it checks for the motion .If both the data are positive, the buzzer is turned on to alert the user and IFTTT server is activated for triggering sms sending function. Further the optical video is streamed to the user from M5 Camera module. To watch live streaming, Connect to ‘M5Camera-test’ Wi-Fi Network and visit 192.168.4.1 web address in browser.



Designed Surveillance System

## V. CONCLUSION

In day time, Optical camera surveillance system provides best security. But in low light condition that fails to detect the object. Through optical camera image, objects or intruders can be detected by advanced image processing and detection algorithms. That system needs more complicated circuits and high efficient microprocessors to analyse the data smoothly and efficiently. That systems are comparatively much costlier than normal surveillance system. To store large amount of captured data is also needs large memory. In some cases large captured surveillance data is stored in cloud storages, that produces large data traffic and requires high bandwidth for uploading. Our proposed system provides easy detection of intruder and alerts the user. In proposed system video streaming starts only if intruder is detected by the system. This helps in saving huge amount of bandwidth if data is uploading to cloud servers, otherwise if data is saving in local memory also, it requires only small memory to store that captured data.

## VI. ACKNOWLEDGMENT

This project is supported by the NIE Institute of Technology and the development program department of the NIE Institute of Technology and by the electronics and communication department of NIE Institute of Technology. For all support and encouragement, we are thanking Mr. Raghavendra M, Asst. Professor at Department of Electronics and Communication Engineering, NIE Institute of Technology, Mysore, India.

## REFERENCES

- [1] "IOT Based Surveillance System for CCTV" by Rezvy P.A, Student, M.E Applied Electronics, N. Prasannan, Asst. Professor Electronics and Communication Department, Selvam College of Technology, Namakkal, Tamil Nadu, India. March 2018.
- [2] "AMG8833 IR Thermal Camera Breakout", <https://www.robot-r-us.com/vmchk/sensor-temp/humid/amg8833-ir-thermal-camera-breakout.html>
- [3] "STM32 STM32F105 MCU boards specification", <https://www.mouser.in/new/stmicroelectronics/stm32f105/>.
- [4] "RCWL-0516 Microwave Radar Sensor Switch Module Body Induction Module", <https://www.elecrow.com/rcwl-0516-microwave-radar-sensor-switch-module-body-induction-module-4-28v-100ma.html>
- [5] "NodeMcu WiFi Development Board - ESP8266", <https://www.amazon.in/Easy-Electronics-NodeMcu-Development-Board/dp/B06XYRS6KC>





10.22214/IJRASET



45.98



IMPACT FACTOR:  
7.129



IMPACT FACTOR:  
7.429



# INTERNATIONAL JOURNAL FOR RESEARCH

IN APPLIED SCIENCE & ENGINEERING TECHNOLOGY

Call : 08813907089  (24\*7 Support on Whatsapp)