



iJRASET

International Journal For Research in
Applied Science and Engineering Technology



INTERNATIONAL JOURNAL FOR RESEARCH

IN APPLIED SCIENCE & ENGINEERING TECHNOLOGY

Volume: 4 Issue: IV Month of publication: April 2016

DOI:

www.ijraset.com

Call:  08813907089

E-mail ID: ijraset@gmail.com

Application to Mobilise Activities in an Social Organization

S.Parameswari¹, D.Lavanya², P.Nancy³, J.umamageswaren⁴

¹UG, ²Professor, Department of Information Technology, RMK Engineering College, Kavaraipettai

Abstract: Nowadays a people are very socially active but they do not find time to do it by reaching out to the places in their busy schedule. In this paper we propose applications that mobilize the activities done in the social organization so that the members of the organization stay connected through the mobile app. Emergency situations, such as accidents, create an immediate, critical need for specific blood group. Through the proposed application the users can make the request for the particular blood group and find the users of particular blood type within their nearest location so that they get the required blood type within time. The users can transfer funds to the organization through net banking and they will get a monthly remainder and they can post the about the events that are going to be conducted by the organization.

I. INTRODUCTION

In today's world everything is technologically advanced and people do it with ease People who want to help those needy people they have to face many problems due to the lack of proper communication and it has a bad impact on the total donation process. The donation procedure can be effective by introducing an easy and effective donation process. The aim of this paper is to propose a mobile application which will be an effective and easiest platform to donate money through mobile banking and this application will also ensure the transparency of donation process. Moreover, people might seek help for himself or other needy persons through this application. The goal is to develop a platform where people can help each other within a few minutes and also the process will be user friendly rather than other conventional donation process. This paper will also focus on the challenges of current system those have to be resolved.

II. REGISTRATION

In our application each and every user need to register first in our application. The process behind this application is that the user have to register in the app by installing it in the mobile phones.

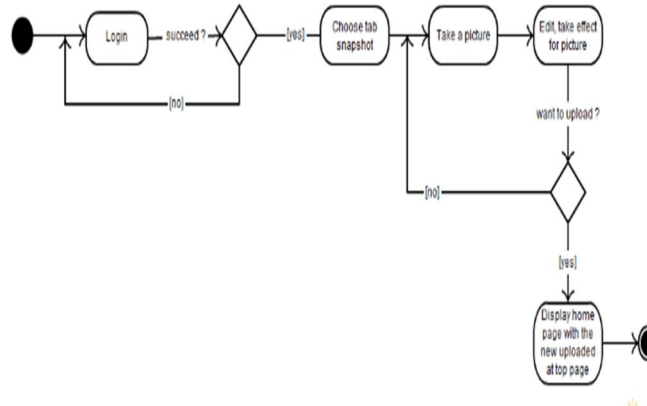


They have to provide the necessary details such as, Name, Contact Number, Blood group, Location and other details.

III. UPLOADING PHOTOS

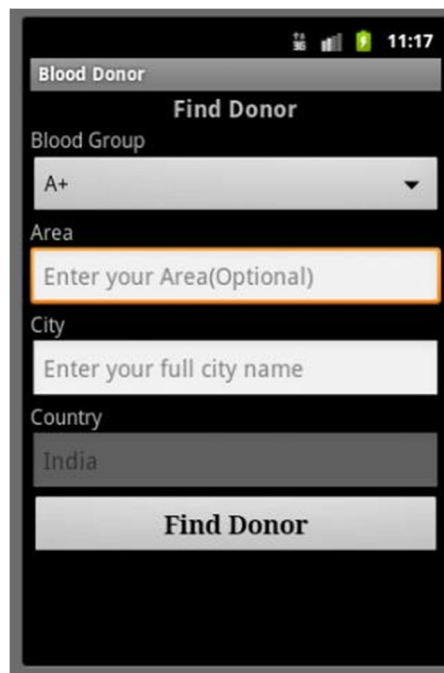
Sharing the experience and events may make people more interested in the event. For that the application allows the users to post the images and Share their experience with the other users of the application. The users can browse the photos from the phone and upload the picture, after uploading the picture the home page gets refreshed and the image appears on the top

International Journal for Research in Applied Science & Engineering Technology (IJRASET)



IV. BLOOD DONATE

In today's world, supply chains are more tangled than ever before. Notifying the donor about the need of the blood is the most important task of the system. Even though, increasing requirements for blood, it is difficult to get the particular blood type at critical situations. In this paper, we propose a new and efficient way to overcome such scenarios with our project. Each and every user registered in the application needs to give his/her blood group. In case of an emergency need for blood, the user sends a notification to the other users of the application. The notification will be sent through a message to the application users' mobile phones. The message will be sent to all application users whose blood group gets matched to the required blood group and the area where the blood receiver resides.



At once, the user will send a notification to the users to get the blood group easily and quickly. Thus, this application is good for users to get the required blood group immediately.

V. FUND TRANSFER

Online banking is one of the new methods of money transaction. Using an Android application, people can transact the amount anywhere, anytime. Through the application, the user can transfer funds to the organization without the need for direct payment. The user will get a notification about the money payment if he/she is a regular monthly donor of funds.

International Journal for Research in Applied Science & Engineering Technology (IJRASET)



VI. EXISTING SYSTEM

In existing system, it is difficult to the user to find out the blood banks that too nearest to their location. Also, they don't know whether the blood group is available there or not. If they go without knowing that, it will be waste of time. Not only that they have to go all blood banks till they have to go all blood banks till they get the required blood group.

Some of the Existing Android Application Developed for Blood Donation:

Bloodline, Blood connect

American Red Cross

Life saver

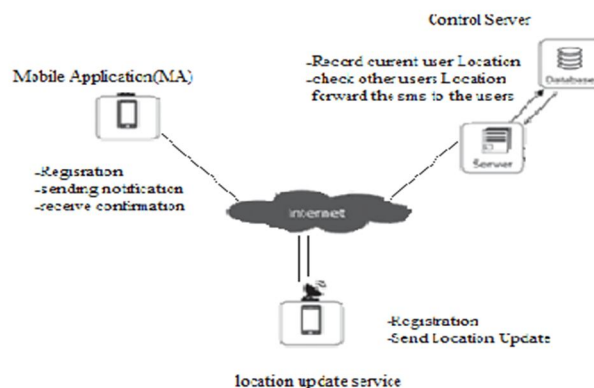
Blood Donor

Dial 4 Blood

Blood 4 Donor

VII. PROPOSED SYSTEM

In proposed system it is easy for the user to get the required blood group easily and quickly. They will send notification to the all the user of the particular blood type within the particular area and if the donar is fit enough and willing to donate blood the process can begin immediately .Through this large number of donars can be reached without the need to search through the blood bank for the availability of the blood



International Journal for Research in Applied Science & Engineering Technology (IJRASET)

VIII. CONCLUSION

In this application we share our social experience with the other user of our application. We can also invite our friends to participate in the application by joining our application. It is like a community to help and serve the needy people. We also discussed about how the blood groups are added by the blood banks, how the details are viewed to the user, how the application enable the donors to donate the blood, how user get the required blood group at emergency etc...

We also created a newsfeed to share our activities to other user of the application. Through the application the way we serve the society changes making it more easier

REFERENCES

- [1] Gillespie, T. W., & Hillyer, C. D. (2002). Blood donors and factors impacting the blood donation decision. *Transfusion Medicine Reviews*, 16(2), 115-130.
- [2] V. Bosnes, M. Aldrin, H. E. Heier, "Predicting Blood Donor Arrival." , *Transfusion, Cilt: 45, Sayı:2, 2005, s. 162-170.*
- [3] Pramasudha, B.G., et al., 2010, Application of Spatial Decision Support System to Blood Bank Information Systems, *International Journal of Geoinformatics*, Vol.6, No. 2, pp.51 – 58.
- [4] Sime, S..L. et al., 2005, Strengthening The Service Continuum Between Transfusion Providers and Suppliers: Enhancing the Blood Services Network., *Transfusion*, Vol.45, No.4, pp.206S-223S.
- [5] "Android Developers," Google, [Online]. Available: <http://www.developer.android.com/> .
- [6] "MySQL," Oracle, [Online]. Available: <http://www.mysql.com>.
- [7] S. S. N. K. R. R. MUHAMMAD ARIFI, "AUTOMATED ONLINE BLOOD BANK," 2012.
- [8] L. Vogel, "Android BroadcastReceiver Tutorial".
- [9] "JSON," [Online]. Available: <http://www.json.org>



10.22214/IJRASET



45.98



IMPACT FACTOR:
7.129



IMPACT FACTOR:
7.429



INTERNATIONAL JOURNAL FOR RESEARCH

IN APPLIED SCIENCE & ENGINEERING TECHNOLOGY

Call : 08813907089  (24*7 Support on Whatsapp)